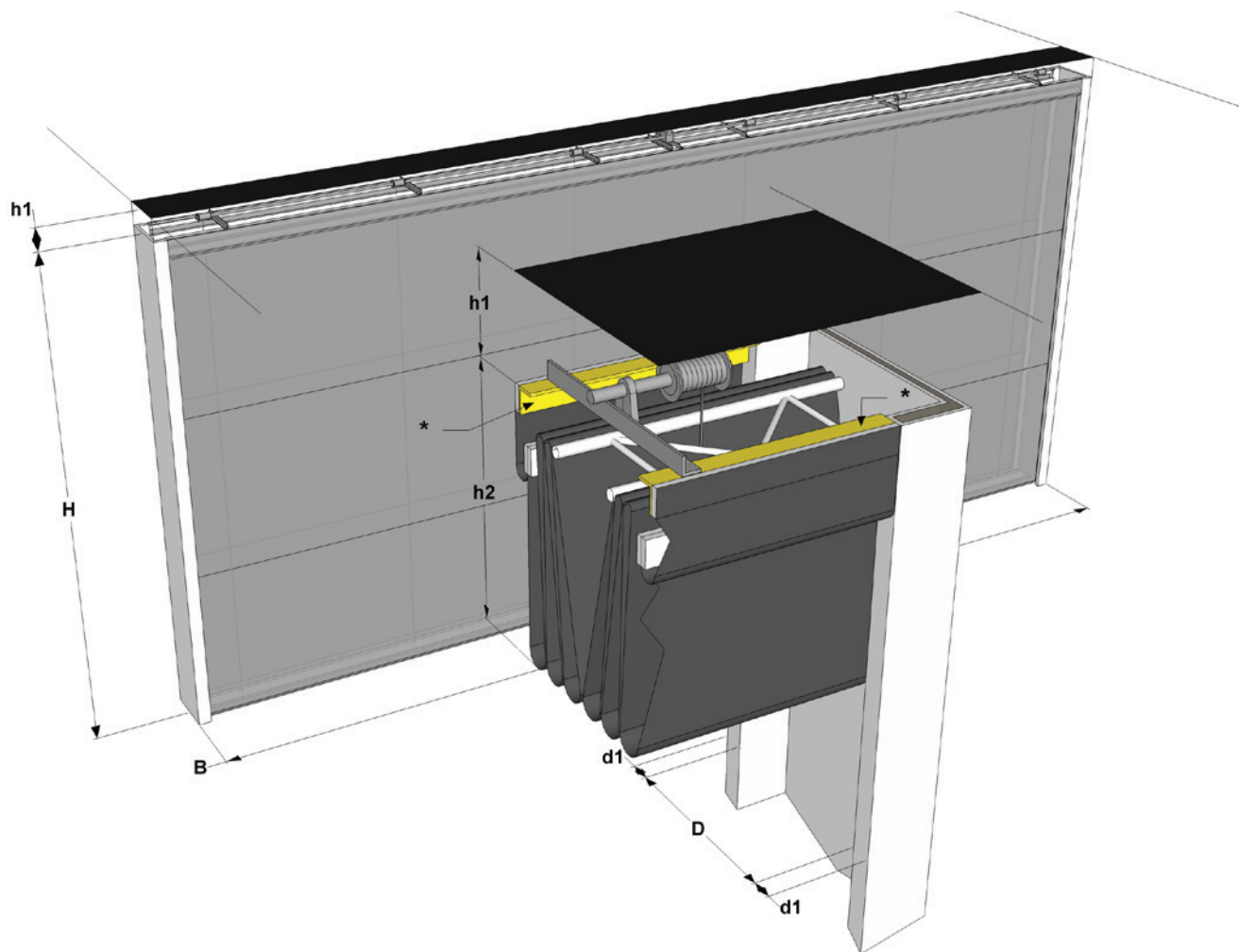


Teanik 2000 Shaft



General description

Teanik 2000 is our most popular curtain wall. The strong, heavy fabric produces sides that are flat and smooth, and also provides excellent sound isolation. The wall works particularly well in large and heavily used environments such as in high schools and sports facilities.

Design

The wall consists of two reinforced PVC fabric sheets (2,000g/m²) with an internal distance of 650 mm. The sides of the curtain on Teanik 2000 are joined together using riveted aluminium on the inside. The model is fitted with sound traps and is built into the ceiling for enhanced sound reduction. The mounting brackets are designed individually for each project depending on the existing construction of the ceiling.

Electrical equipment

The wall is fitted with a 3-phase worm gear electric motor (400 / 240 V, 50-60 Hz) with control and main limit switch. A lockable control register is included and installed by the customer on site where it is possible to

be in full charge of the wall. The wall is supplied with lock cylinders (DIN). Motor protection, circuit breakers and cable routing and connection are not included.

Operation

The wall is operated using a key that springs back to stop after you release it.

Safety

The motor unit is fitted with a brake, self-locking worm gear or fall protection. The wall has a 5 mm wire system with collection at shaft combined with adequately sized mechanical equipment. The unit has been approved in accordance with applicable regulations and is CE marked. Inspection not included.

Project planning

We provide working documents with the execution and design characteristics for approval by the client before production and assembly.

Guarantee

A 2 years guarantee for material and installation done by Saxi. This includes material and time for replacement excluding cost for freight, travel, accessibility, scaffolds, lift etc.

Application

Appropriate size	20-2000 m ² (WxH)
Sound traps	Yes
Gallery seating	Options
Door opening	Options
Valances to ceiling	Options
Collection	In ceiling
Raised position	Straight
Wire system	5 mm, shaft

Curtain

Curtain material	Reinforced PVC
Joints	Hidden profile
Flame protection	DIN 4102 B2 SIS 650082
Tear resistance	700 N when ripping
Tensile strength	3500 N / 5 cm

Weight

Curtain	2 kg / m ² per side
Total	6 kg / m ²
Motor	250 - 450 kg

Sound reduction

Field values	30 dB
Lab values	Not measured

* = not included

Saxi Vågg AB

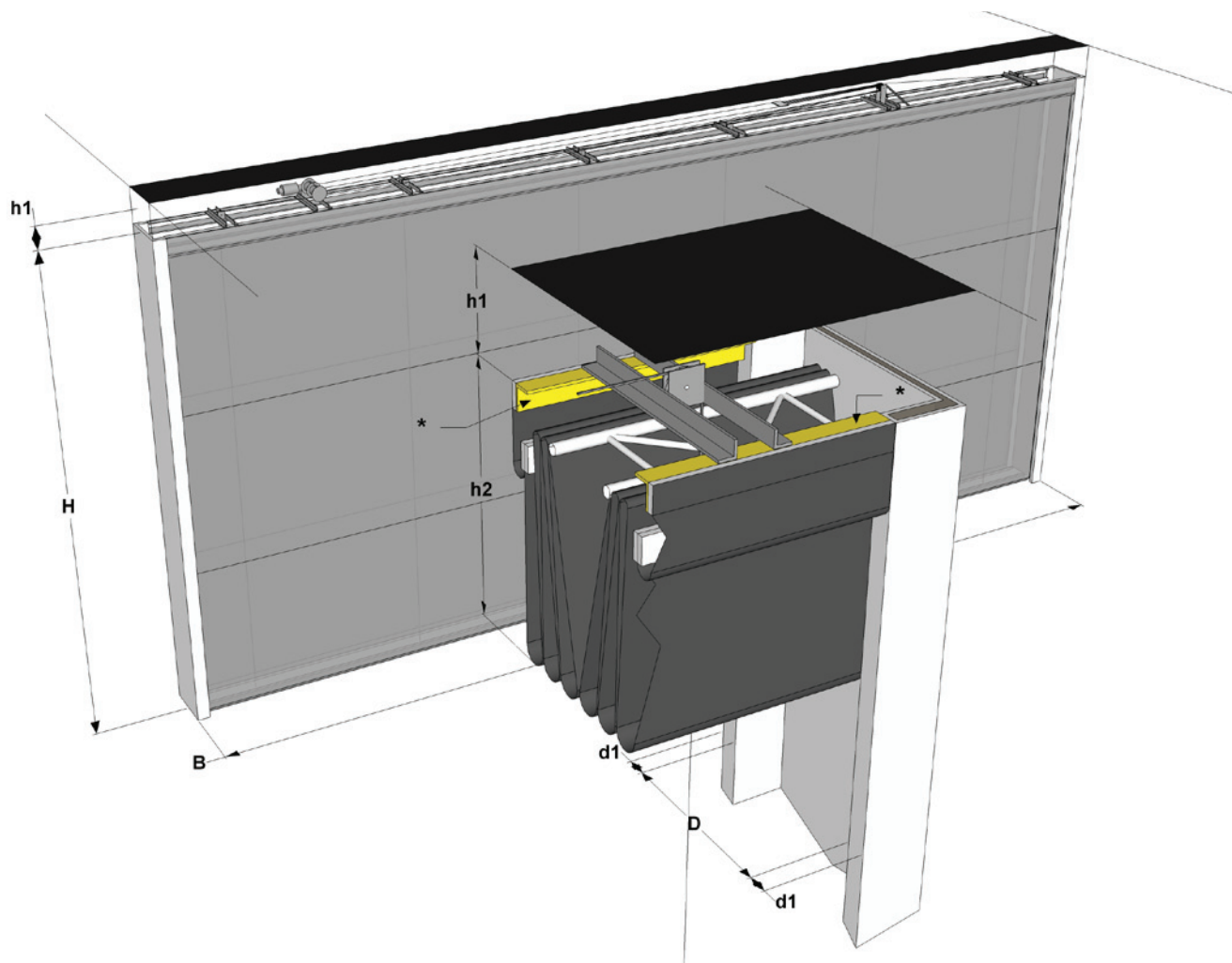
Åkerivägen 3
SE 443 61 Stenkullen, Sweden

Tel: +46(0)302 22990
Fax: +46(0)302 22419

Email: info@saxi.se
Web: www.saxi.se



Teanik 2000 Wire



General description

Teanik 2000 is our most popular curtain wall. The strong, heavy fabric produces sides that are flat and smooth, and also provides excellent sound isolation. The wall works particularly well in large and heavily used environments such as in high schools and sports facilities.

Design

The wall consists of two reinforced PVC fabric sheets (2,000g/m²) with an internal distance of 650 mm. The sides of the curtain on Teanik 2000 are joined together using riveted aluminium on the inside. The model is fitted with sound traps and is built into the ceiling for enhanced sound reduction. The mounting brackets are designed individually for each project depending on the existing construction of the ceiling.

Electrical equipment

The wall is fitted with a 3-phase worm gear electric motor (400 / 240 V, 50-60 Hz) with control and main limit switch. A lockable control register is included and installed by the customer on site where it is possible to

be in full charge of the wall. The wall is supplied with lock cylinders (DIN). Motor protection, circuit breakers and cable routing and connection are not included.

Operation

The wall is operated using a key that springs back to stop after you release it.

Safety

The motor unit is fitted with a brake, self-locking worm gear or fall protection. The wall has a 5 mm wire system with dual head-wires combined with adequately sized mechanical equipment. The unit has been approved in accordance with applicable regulations and is CE marked. Inspection not included.

Project planning

We provide working documents with the execution and design characteristics for approval by the client before production and assembly.

Guarantee

A 2 years guarantee for material and installation done by Saxi. This includes material and time for replacement excluding cost for freight, travel, accessibility, scaffolds, lift etc.

Application

Appropriate size	20-2000 m ² (WxH)
Sound traps	Yes
Gallery seating	Options
Door opening	Options
Valances to ceiling	Options
Collection	In ceiling
Raised position	Straight
Wire system	5 mm, dual head

Curtain

Curtain material	Reinforced PVC
Joints	Hidden profile
Flame protection	DIN 4102 B2 SIS 650082
Tear resistance	700 N when ripping
Tensile strength	3500 N / 5 cm

Weight

Curtain	2 kg / m ² per side
Total	6 kg / m ²
Motor	250 - 450 kg

Sound reduction

Field values	30 dB
Lab values	Not measured

* = not included

Saxi V ägg AB

Åkerivägen 3
SE 443 61 Stenkullen, Sweden

Tel: +46(0)302 22990
Fax: +46(0)302 22419

Email: info@saxi.se
Web: www.saxi.se

